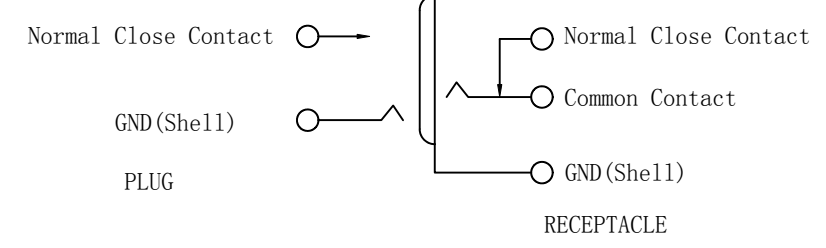
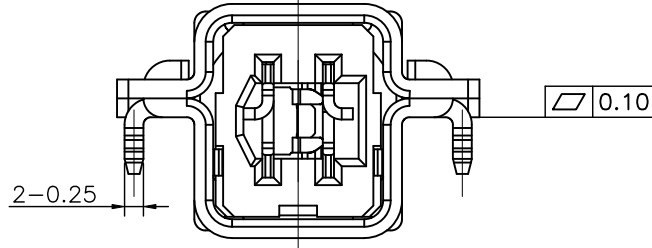
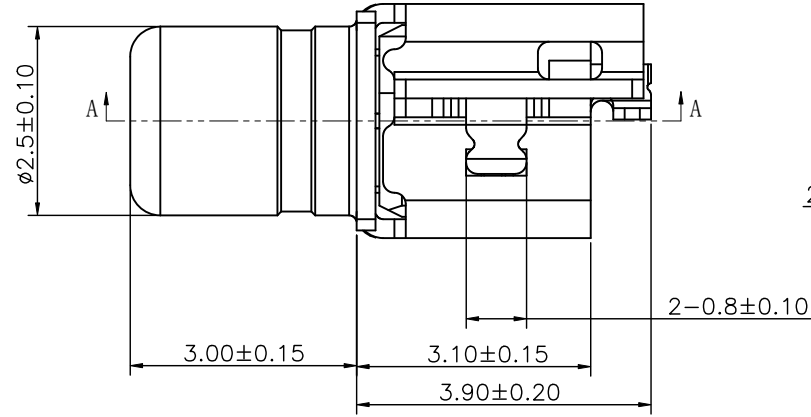
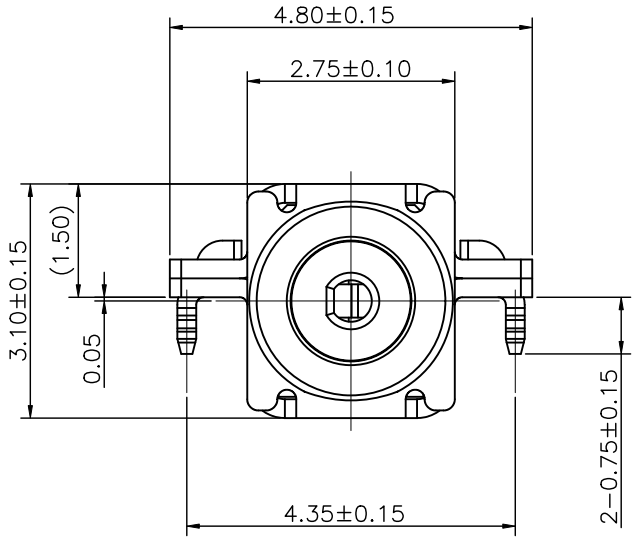
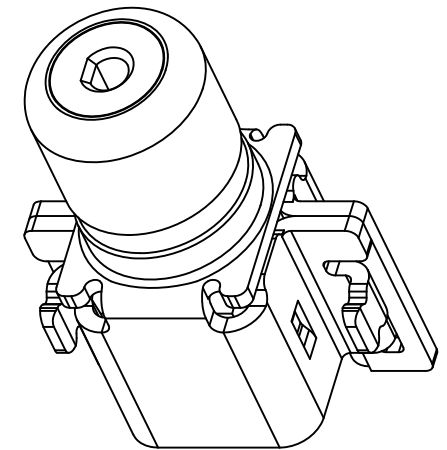
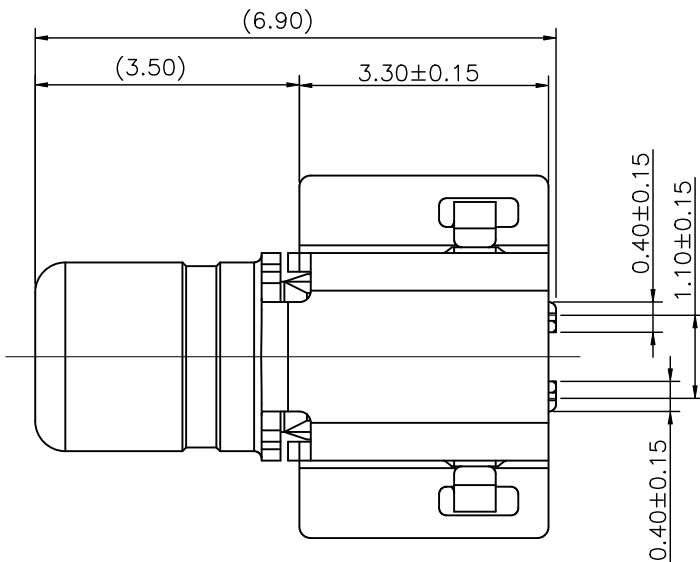


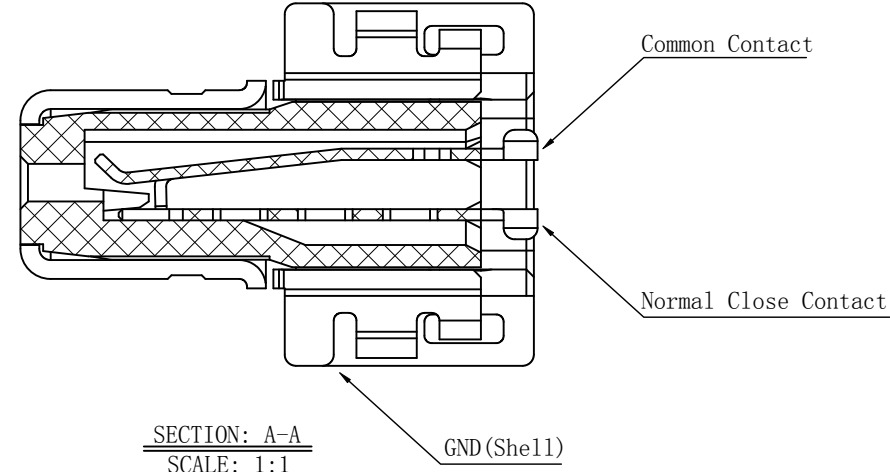
A3

REV	ECN NO	DESCRIPTION	DATE	APPD
X2	ECNXXXX	外观调整		
X3	ECNXXXX	外观调整		
X4	ECNXXXX	外观调整		
X5	ECNXXXX	增加LAYOUT尺寸标注		

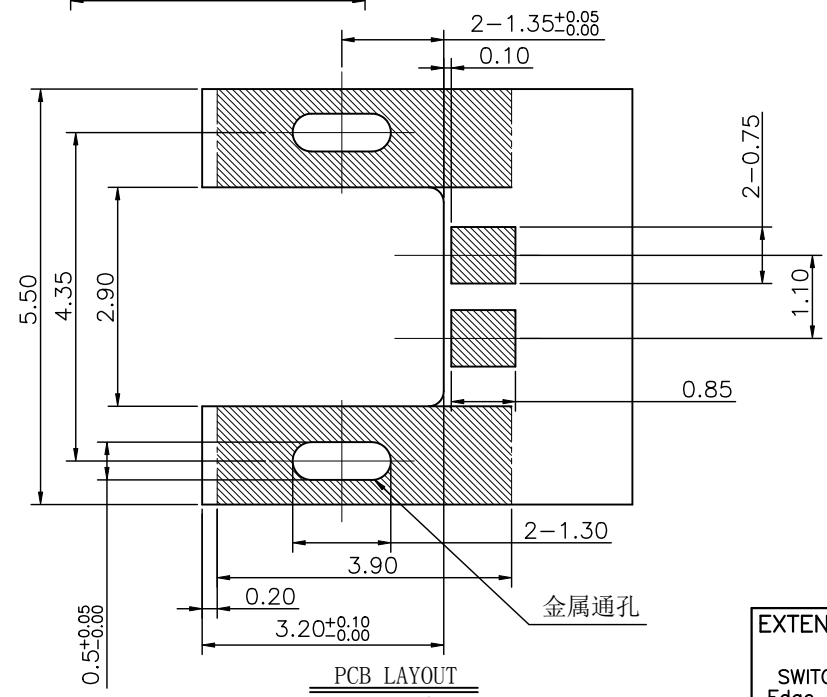


COAXIAL SWITCH CIRCUIT

- NOTE:
- 1.Frequency Range:DC~6GHz
  - 2.Operating Humidity:35%~85%R.H
  - 3.Temperature Rating:-25℃~+85℃
  - 4.Nominal Characteristic Impedance: 50Ω
  - 5.V.S.W.R.:1.6Max (DC~6GHz)
  - 6.Insertion Loss:-0.8dB Max(DC~6GHz)
  - 7.Isolation:-10dB Min(DC~6GHz)
  - 8.Voltage Rating:100VAC(R.M.S)
  - 9.Insulation Resistance:1000MΩ
  - 10:Withstanding Voltage:150V AC Min
  - 11:Mating Life:500 Cycles



SECTION: A-A  
SCALE: 1:1



PCB LAYOUT  
TOLERANCE: ±0.05

Table 1

NO.	PART NAME	PART NO	MATERIAL	FINISH	Q' TY
1	SHELL	7.046S0-000-2R3	铜合金, T=0.25mm	接触区Au 3u"MIN, Ni 80u"MIN	1
3	HOUSING	7.046M0-000-0B1	高温塑料 BK	N/A	1
4	Common Contact	7.046T1-000-5R2	铜合金, T=0.15mm	接触区Au 15u"MIN, Ni 80u"MIN	1
5	Normal Close Contact	7.046T0-000-5R3	铜合金, T=0.15mm	接触区Au 15u"MIN, Ni 80u"MIN	1

EXTEND USE		TITLE	
SCS RF SWITCH CONNECTOR Edge Mount DIP Type		7.046A0 CONN. Customer Drawing	
UNIT mm		DWG NO C-7.046A0	
GENERAL TOLERANCE		APPD Andrew 2020.05.10	
DIMENSION		CHD Andrew 2020.05.10	
ANGLES		DRN ChaiYH 2020.05.10	
FINISHED		SHEET 1/1 SCALE 1:1	
		REV X5	

