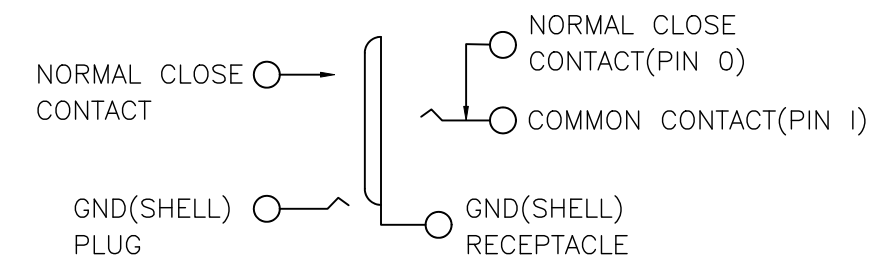
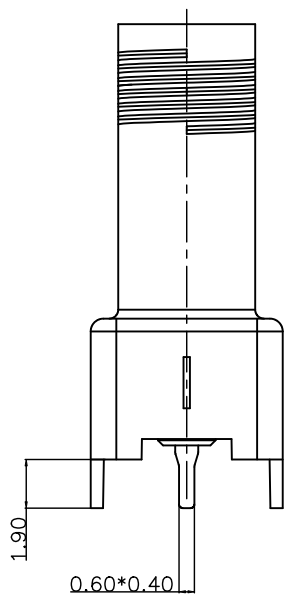
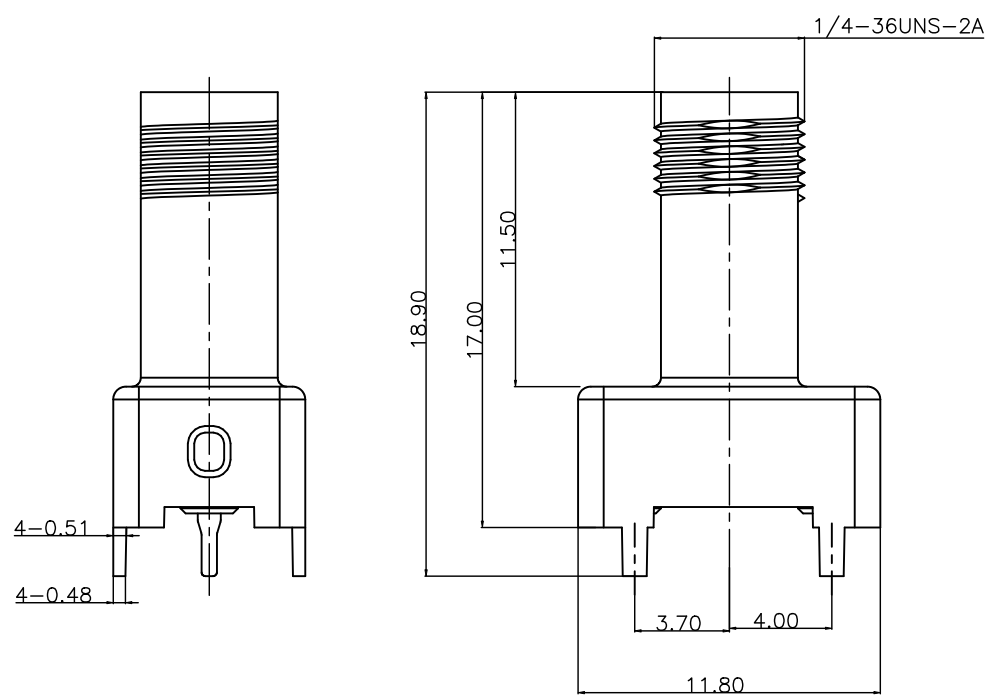
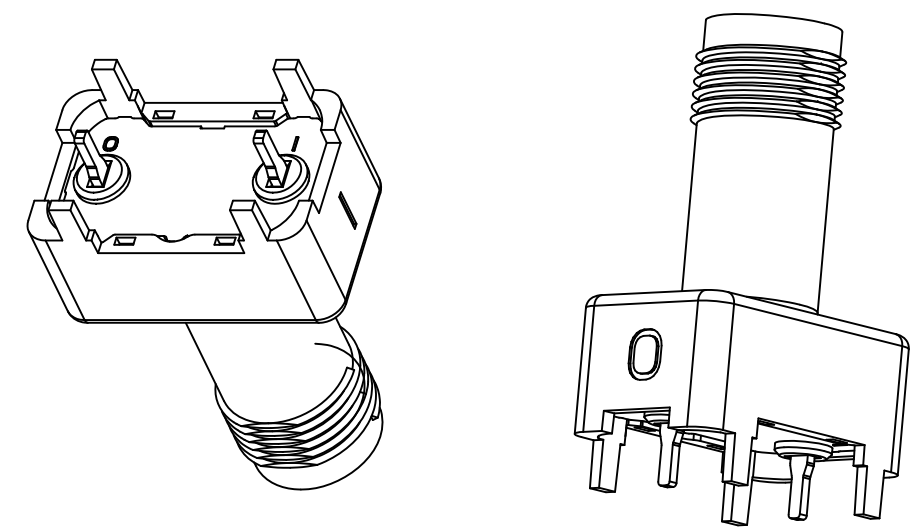
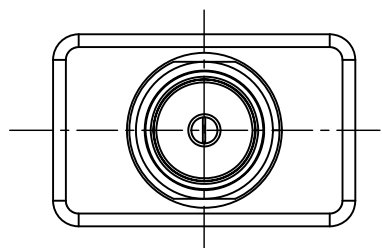
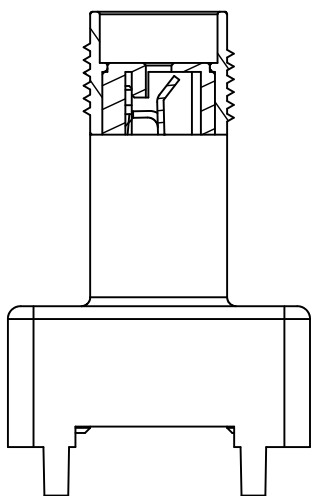


REV	ECN NO	DESCRIPTION	DATE	APPD
X1	ECN20XXXX	NEW	2020.03.09	Bill
X2	ECN20XXXX	外观调整	2020.04.07	Bill

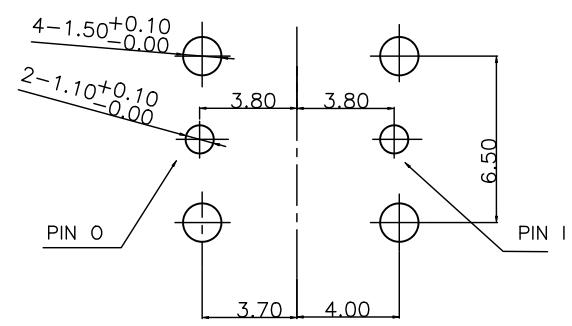
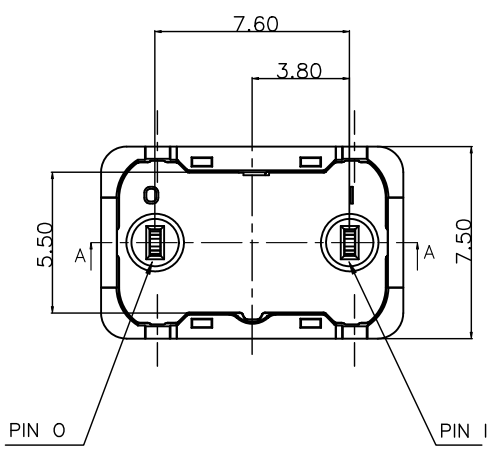


COAXIAL SWITCH CIRCUIT

- NOTES:
- PRODUCT SPECIFICATION:
 - CHARACTER IMPEDANCE:50Ω
 - LLCR:INITIAL:100mΩ MAX
AFTER TEST:200mΩ MAX
 - INSULATION RESISTANCE:5000 MΩ MIN
 - DIELECTRIC WITHSTANDING VOLTAGE:
1000V AC FOR 1MINUTE,60Hz
 - VSWR:(FREQUENCY)
(DC~4.2GHz) NORMAL CLOSE 1.50 MAX
NORMAL OPEN 1.50 MAX
 - INSERTION LOSS:(FREQUENCY)
(DC~4.2GHz) NORMAL CLOSE 0.5dB MAX
NORMAL OPEN 0.6dB MAX
 - ISOLATION :(FREQUENCY)
(DC~4.2GHz) 10.0dB MIN
 - DURABILITY:500 CYCLES
 - SALT SPRAY:48H
 - ENVIRONMENTAL:
OPERATION TEMPERATURE:-55℃~155℃
 - PRODUCT COMPLIANT TO ROHS AND HALOGEN FREE.



SECTION:A-A



PCB LAYOUT
TOLERANCE±0.05mm

E	COVER HOUSING	LCP	NATURAL UL94V-0	1
D	HOUSING	LCP	NATURAL UL94V-0	1
C	NORMAL CLOSE CONTACT	C2680	NI:100U"MIN AU:15U"MIN SN:80U"MIN	1
B	COMMON CONTACT	C5210	NI:100U"MIN AU:15U"MIN SN:80U"MIN	1
A	SHELL	锌铝合金	MATTE TIN:180~250U"	1
NO.	PART NAME	MATERIAL	FINISH	Q'TY

EXTEND USE		TITLE		F.A.F.	
SMA WITH SWITCH		7.047A0 Conn. CUSTOMER DRAWING		DWG NO C-7.047A0	
GENERAL TOLERANCE		APPD		P/N: 7.047A0-000-5Y0	
DIMENSION		MATERIAL		SHEET	
ANGLES		QTY		SCALE	
		FINISHED		REV	
. ±0.25	. ±2'	DRN		1/1	
.0 ±0.15	.0 ±1'	Yunhe Chai		1:1	
.00 ±0.10	.00 ±0.5'	2020.04.07		X2	
.000 ±0.05					