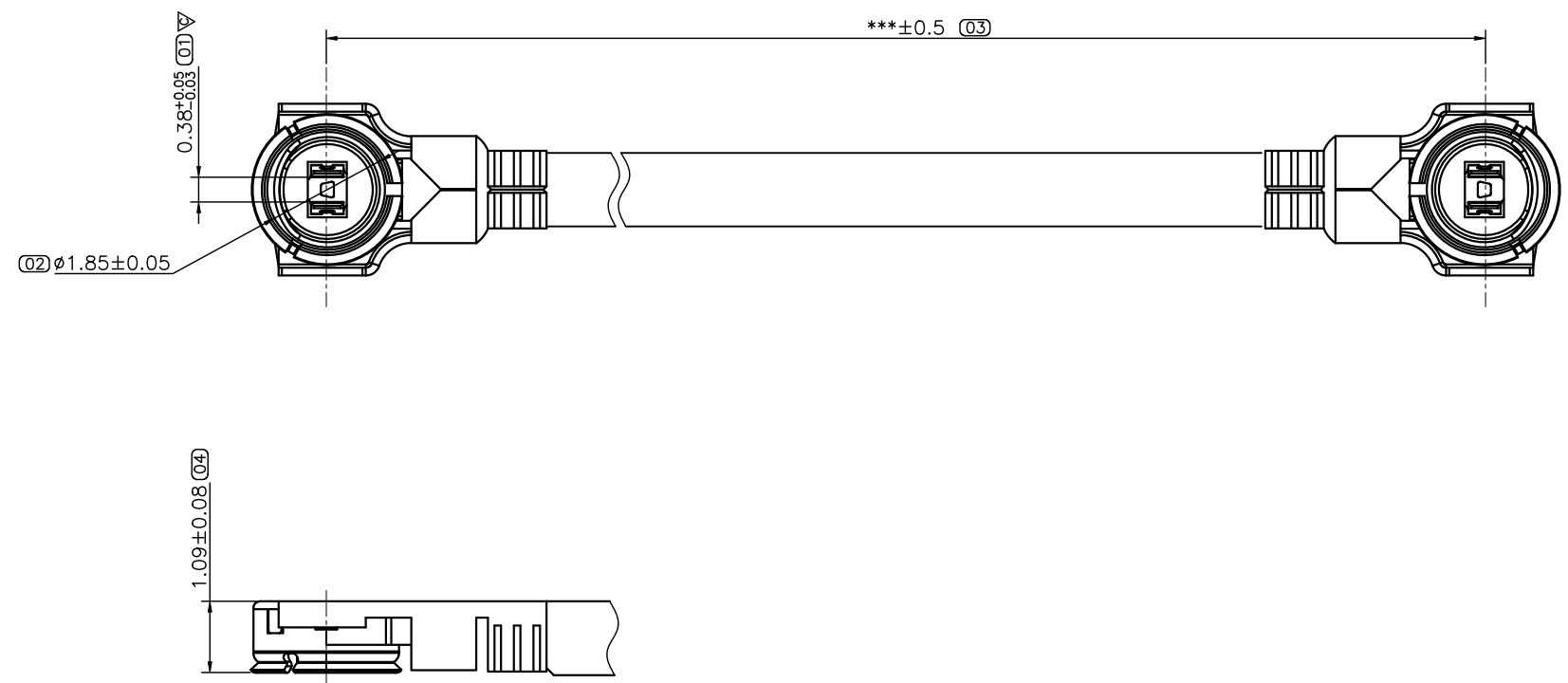


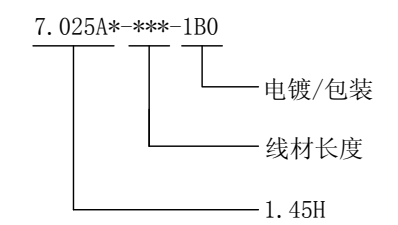
A3

REV	ECN NO	DESCRIPTION	DATE	APPD
X1		Initial Edition		



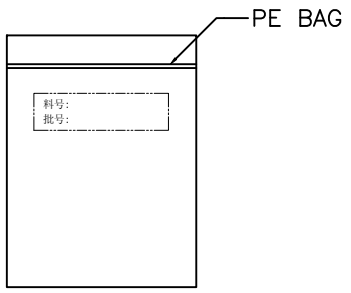
- 说明:
- 工艺参数:
    - 1.1 额定电压: 60VAC (R. M. S)
    - 1.2 额定频率: 500M~3G Hz
    - 1.3 特性阻抗: 50 ohms
    - 1.4 额定使用温度: -40° C~+85° C
    - 1.5 使用湿度: 95%R. H. MAX
  - 电气性能:
    - 2.1 绝缘阻抗: 500M ohms
    - 2.2 接触电阻:
      - 2.2.1 内导体: 25 mohms Max.
      - 2.2.2 外导体: 25 mohms Max.
    - 2.3 耐电压: 200V AC 1minute
  - 机械性能:
    - 3.1 耐久性: 30 Cycles
    - 3.2 引张强度: 12N Min.
  - 标有 (C3) 的尺寸为FAI需测量之尺寸,且全部尺寸需SIP (检验卡片)管控
  - 标有 ▽ 的尺寸为关键管控尺寸
  - 来料、生产及包装运输过程必须满足FAF JH-GP-213 《环境管理物质限用作业程序》要求

P/N	ITEM	PART NO.	Q'TY	DESCRIPTION
7.025AJ-100-1B0	2		1	CABLE(∅1.13,Colour:BLACK)
	1	7.016A0-000-1R0	1	RF 1.45H PLUG CONNECTOR
BOM LIST				



EXTEND USE		TITLE		FAF			
RF 1.45H Connector Plug+Cable		UNIT	7.025A* CONN. Customer Drawing	DWG NO			
GENERAL TOLERANCE (C1)		MATERIAL	APPD	C-7.025A*			
DIMENSION	ANGLES	QTY	CHD	P/N:			
. ±0.30	. ±3'	FINISHED	DRN	7.025A*-*-1B0			
.0 ±0.25	.0 ±2'	Chen_ZhenYu 2019.06.24		SHEET	SCALE	REV	
.00 ±0.20	.00 ±1'			1/1	1:1	X1	
.000 ±0.10							

REV	ECN NO	DESCRIPTION	DATE	APPD
		SEE SHEET 1		



↓ 20PCS



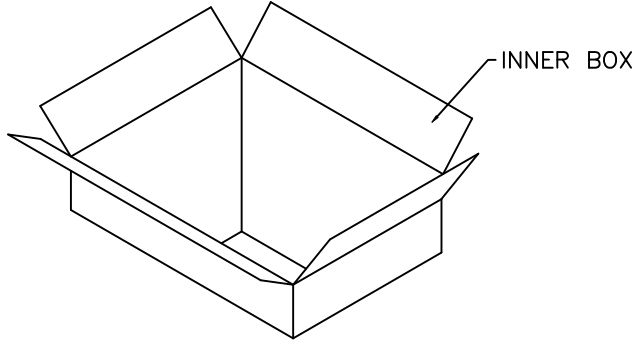
LABEL-INNER BOX



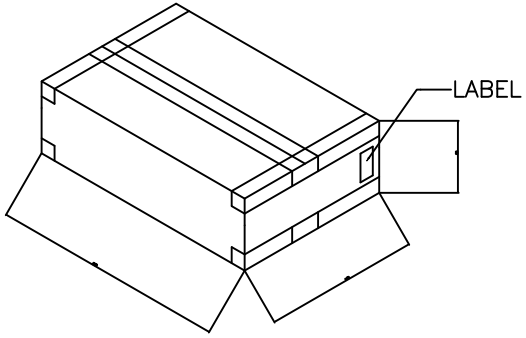
LABEL-CARTON

BOM:

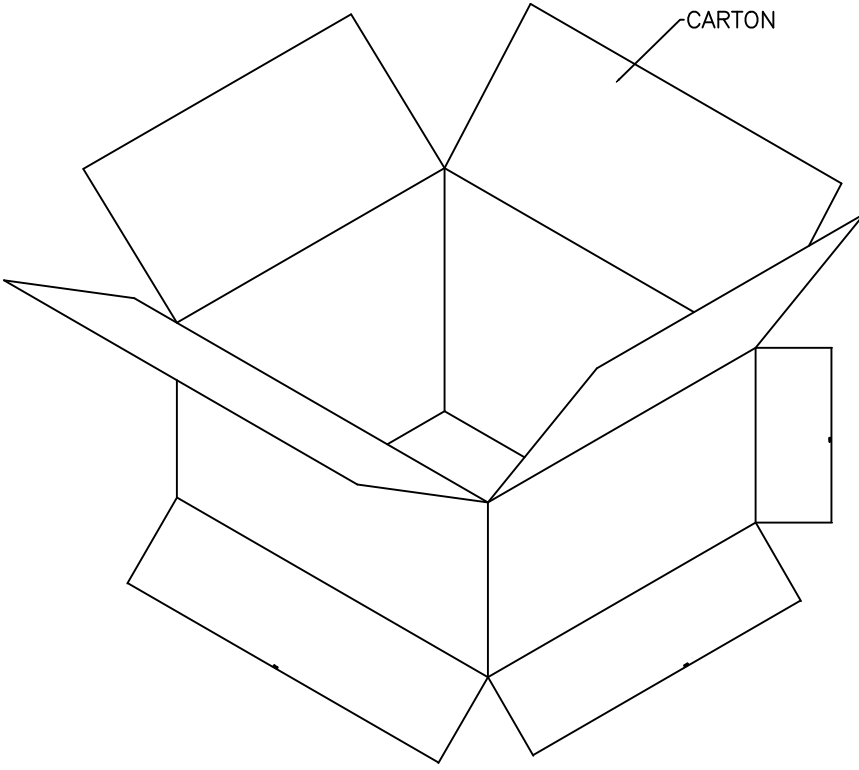
P/N	Q' TY		
	PE BAG	INNER BOX	CARTON
7.025A*-***-1B0	100PCS	1000PCS	4000PCS



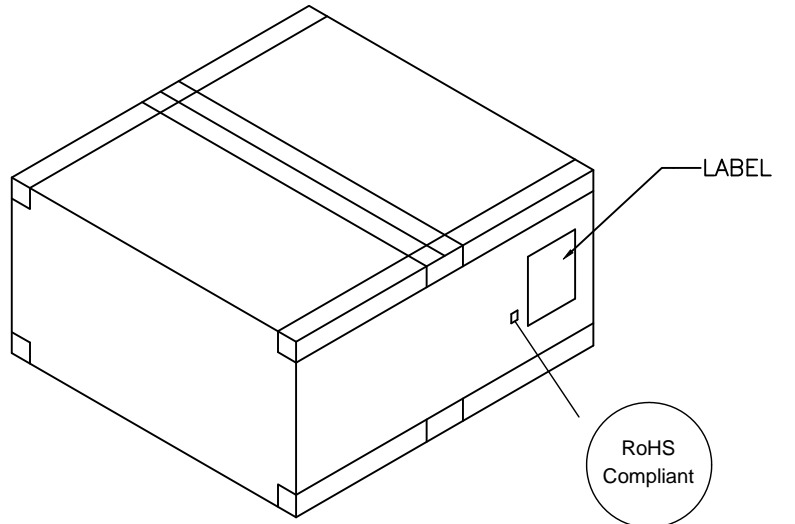
↓



→ 4PCS



→



EXTEND USE		TITLE		FIF	
RF 1.45H CONNECTOR PLUG+CABLE		UNIT mm	7.025A* CONNECTOR CUSTOMER DRAWING		DWG NO
GENERAL TOLERANCE Ⓢ		MATERIAL	APPD		C-7.025A*
DIMENSION	ANGLES	QTY	CHD		P/N:
. ±0.30	. ±3°	FINISHED	DRN		SEE TAB
.0 ±0.25	.0 ±2°	Chen_Zhenyuan		SHEET	SCALE
.00 ±0.20	.00 ±1°	2019.06.24		2/2	1:1
.000 ±0.10				REV	X1