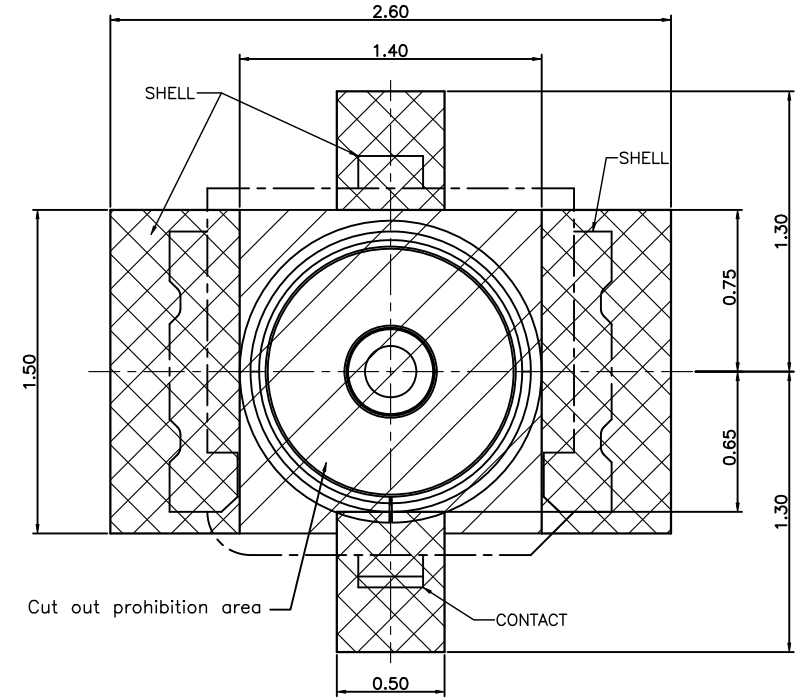
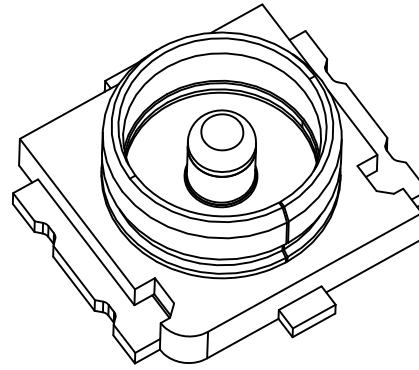
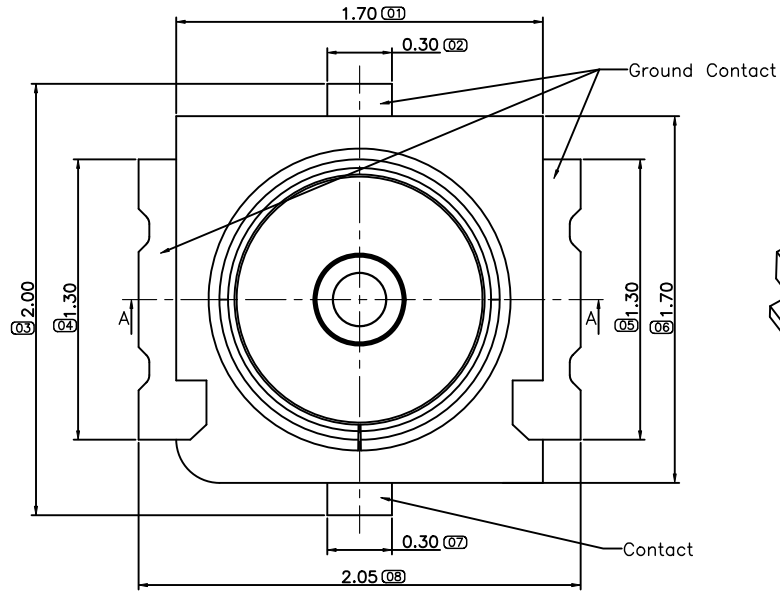
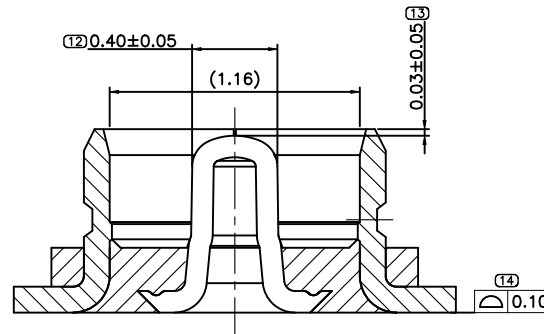
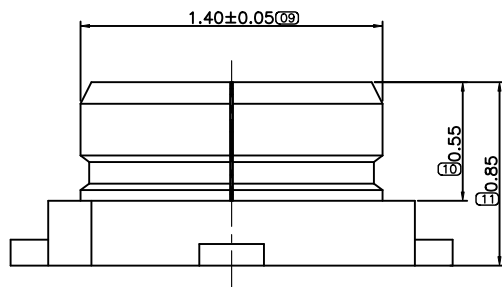


A3

REV	ECN NO	DESCRIPTION	DATE	APPD
A	ECN1307016	INITIAL EDITION	2013.07.24	Bill Zheng



Recommended PCB Layout
(General Tolerance Is ± 0.05)



Section: A-A

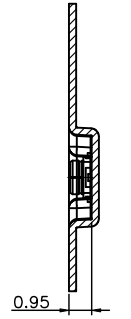
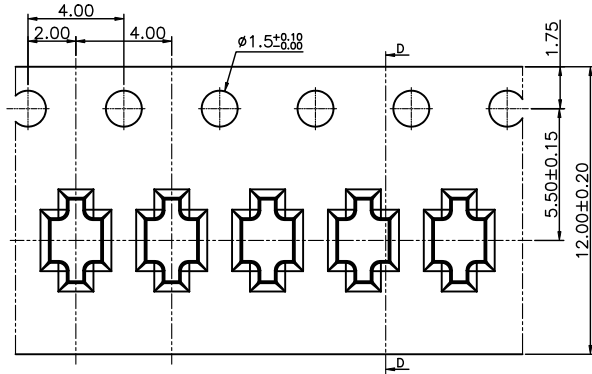
NOTE:

- MATERIAL:
 - HOUSING: THERMOPLASTIC, COLOR: BLACK, UL 94V-0;
 - CONTACT: COPPER ALLOY, T=0.10mm;
 - SHELL: COPPER ALLOY, T=0.12mm.
- FINISH:
 - CONTACT: GOLD PLATED ON MATING AREA, GOLD FLASH ON SOLDER TAILS, NICKEL UNDER PLATED OVER OF THE ALL;
 - SHELL: GOLD FLASH ON THE ALL, NICKEL PLATED UNDER.
- THE INCOMING MATERIAL, MANUFACTURING PROCESS AND THE SHIPMENT MUST ACCORD WITH THE REQUIREMENT OF FAF JH-GP-213 ENVIRONMENT MANAGEMENT MATERIAL FORBIDDEN USED PROCEDURE.

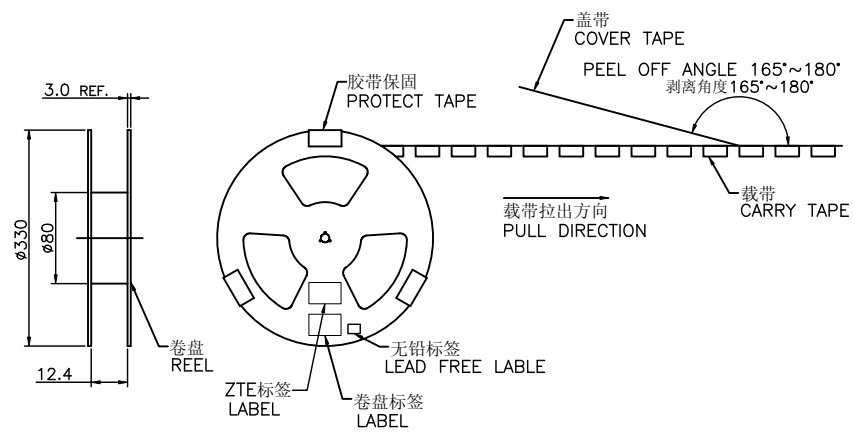
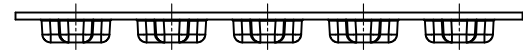
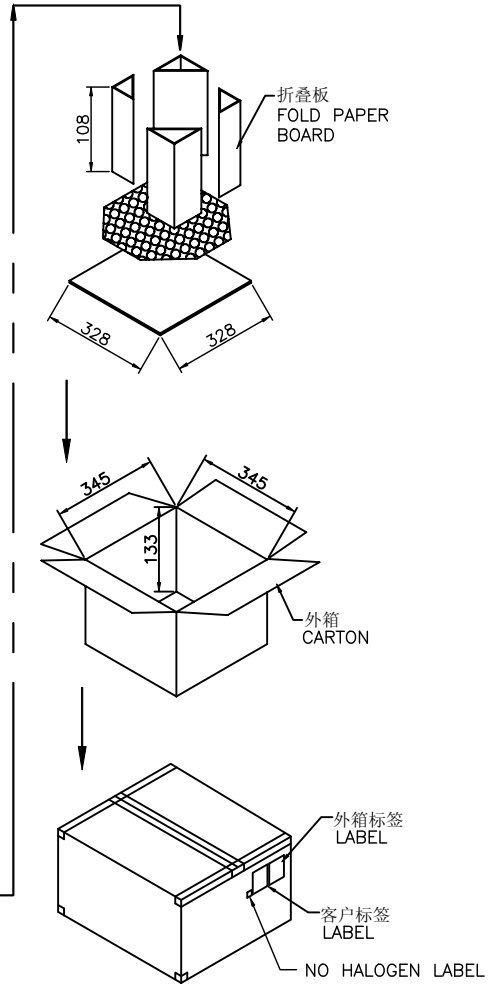
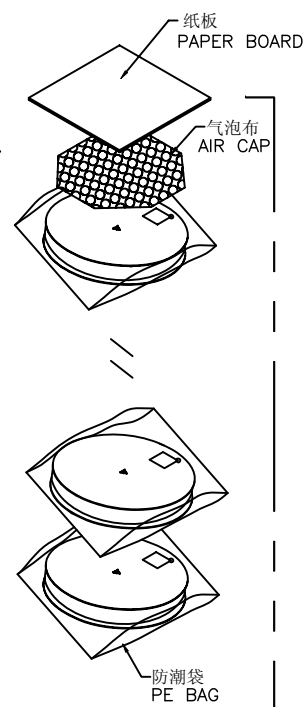
EXTEND USE		TITLE			
RF 1.5H REC Connector		7.017A0 Connector Customer Drawing			
GENERAL TOLERANCE (0)		UNIT	mm	DWG NO	
DIMENSION		MATERIAL	APPD	C-7.017A0	
ANGLES		QTY	CHD	P/N:	
.0 \pm 0.25		David Wang 2013.07.24		7.017A0-000-1R0	
.00 \pm 0.20		DRN		SHEET SCALE	
.000 \pm 0.10		Rico Wang 2013.07.24		1/2 1:1	
				REV A	

A3

REV	ECN NO	DESCRIPTION	DATE	APPD
A		INITIAL EDITION	2013.07.24	Bill Zheng

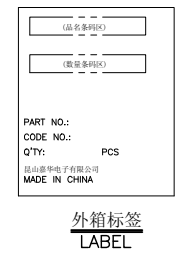


无卤
No halogen
NO HALOGEN LABEL
 $\phi 25$



1: 包装内容
INFORMATIONS OF THE PACKING

品名 (TITLE)	料号 (P/N)	一卷包装数量 Q'TY/REEL	一箱包装数量 Q'TY/CARTON
7.017A0 CONNECTOR	7.017A0-000-1R0	5000PCS	20000PCS



EXTEND USE	RF 1.5H REC Connector	TITLE	7.017A0 Connector Customer Packing	
UNIT	mm	MATERIAL	APPD Bill Zheng 2013.07.24	
GENERAL TOLERANCE	Ⓢ	QTY	CHD David Wang 2013.07.24	DWG NO
DIMENSION	. ±0.30 .0 ±0.25 .00 ±0.20 .000 ±0.10	FINISHED	DRN Rico Wang 2013.07.24	C-7.017A0-P
ANGLES	. ±3° .0 ±2° .00 ±1°	SHEET	2/2	P/N:
		SCALE	1:1	7.017A0-000-1R0
		REV	A	Ⓢ