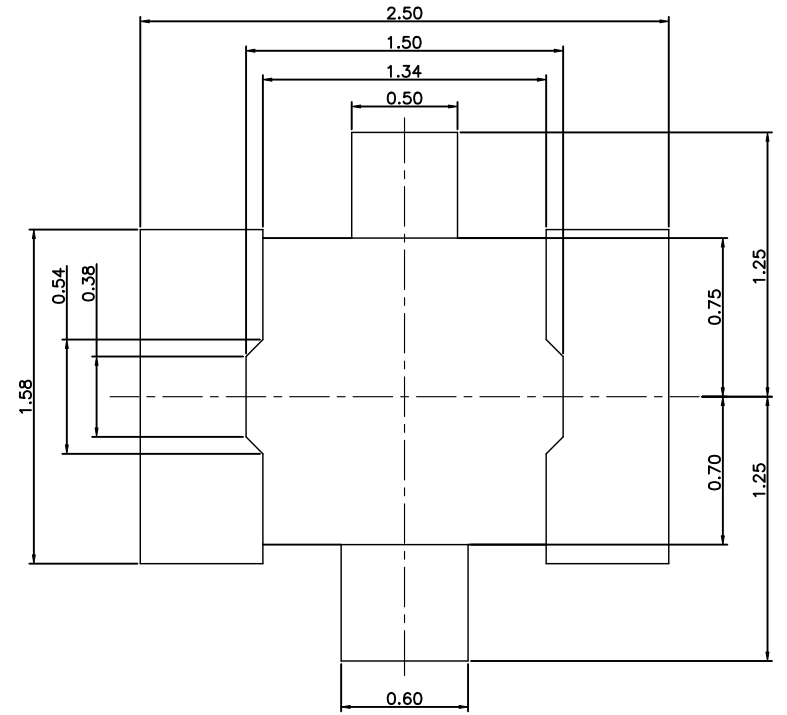
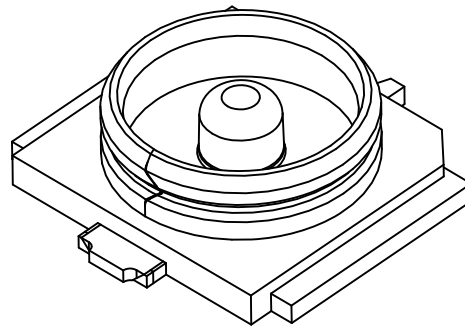
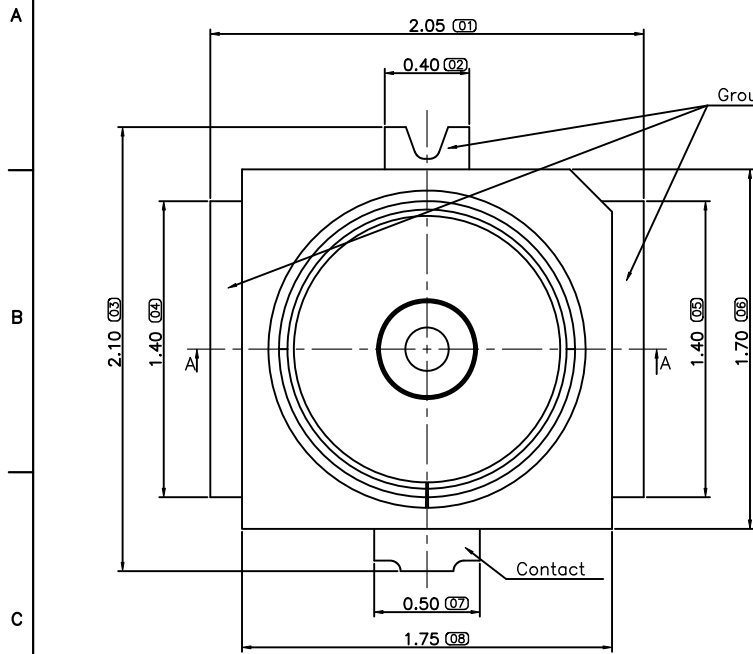
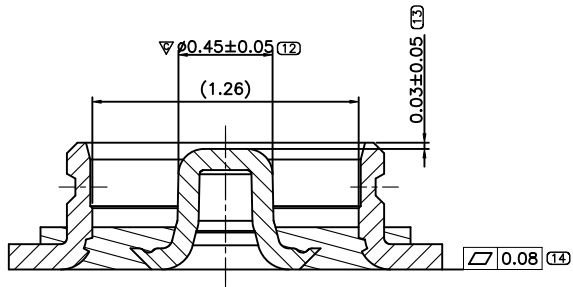
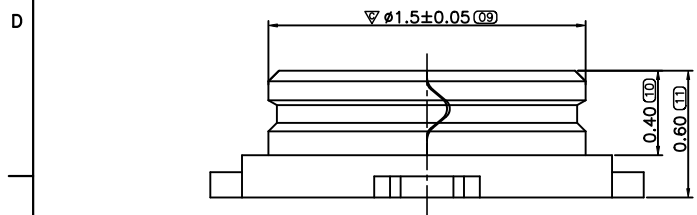


A3

| REV | ECN NO     | DESCRIPTION            | DATE       | APPD         |
|-----|------------|------------------------|------------|--------------|
| A   | ECN1305070 | INITIAL EDITION        | 2013.05.09 | Bill Zheng   |
| B   | ECN1609003 | ADD CPK SIZE CONTROL.  | 2016.09.05 | Andrew Zhang |
| C   | ECN1706016 | CHANGE IN PACKAGE Qty. | 2017.06.23 | Bill Zheng   |



Recommended PCB Layout  
(General Tolerance Is ±0.05)



SECTION: A-A

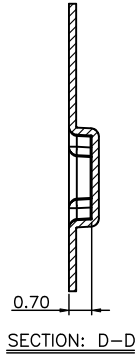
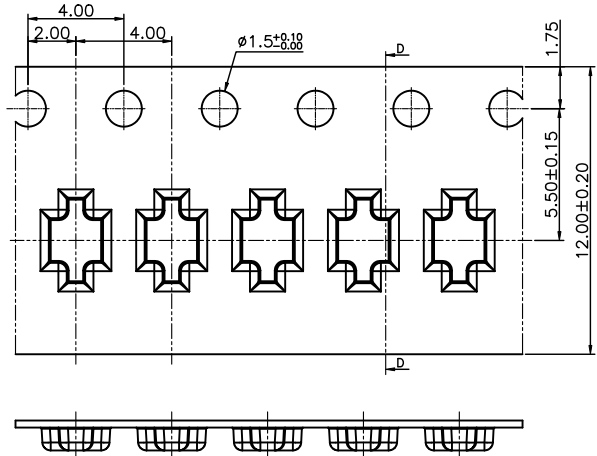
- NOTE:
- MATERIAL:
    - HOUSING:THERMOPLASTIC,COLOR:BLACK,UL 94V-0;
    - CONTACT: COPPER ALLOY,T=0.10mm;
    - SHELL:COPPER ALLOY,T=0.12mm.
  - FINISH:
    - CONTACT: GOLD PLATED ON CONTACT AREA,GOLD FLASH ON SOLDER TAILS, NICKEL UNDER PLATED OVER OF THE ALL;
    - SHELL: GOLD FLASH ON THE ALL,NICKEL PLATED UNDER.
  - USING ∇ TO REPRESENT CPK DIMENSIONS.
  - THE INCOMING MATERIAL,MANUFACTURINGPROCESS AND THE SHIPMENT MUST ACCORD WITH THE REQUIREMENT OF FAF JH-GP-213 ENVIRONMENT MANAGEMENT MATERIAL FORBIDDEN USED PROCEDURE.

| EXTEND USE            |         | TITLE      |            | DWG NO                             |     |
|-----------------------|---------|------------|------------|------------------------------------|-----|
| RF 1.2H REC Connector |         | UNIT       | mm         | 7.020A0 Connector Customer Drawing |     |
| GENERAL TOLERANCE (D) |         | MATERIAL   | APPD       | C-7.020A0                          |     |
| DIMENSION             | ANGLES  | QTY        | CHD        | P/N:                               |     |
| .0 ±0.30              | . ±3°   | Bill Zheng | 2017.06.23 | 7.020A0-000-1R0                    |     |
| .0 ±0.25              | .0 ±2°  | Bill Zheng | 2017.06.23 | SHEET SCALE                        |     |
| .00 ±0.20             | .00 ±1° | FINISHED   | DRN        | 1/2                                | 1:1 |
| .000 ±0.10            |         |            | Tony Tai   | REV                                | C   |
|                       |         |            | 2017.06.23 |                                    |     |

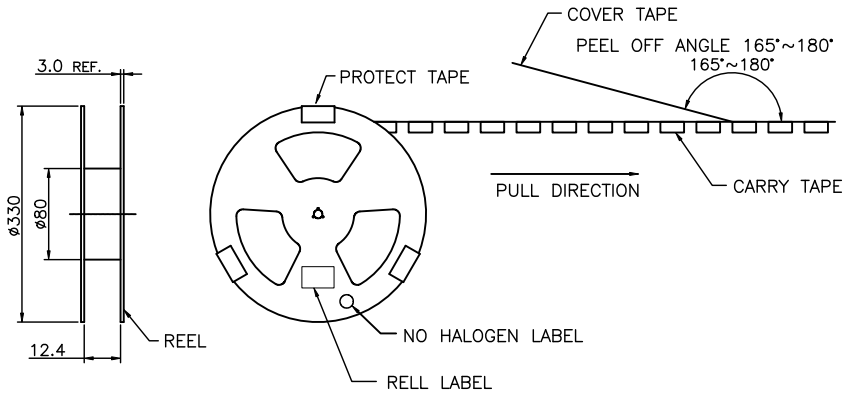
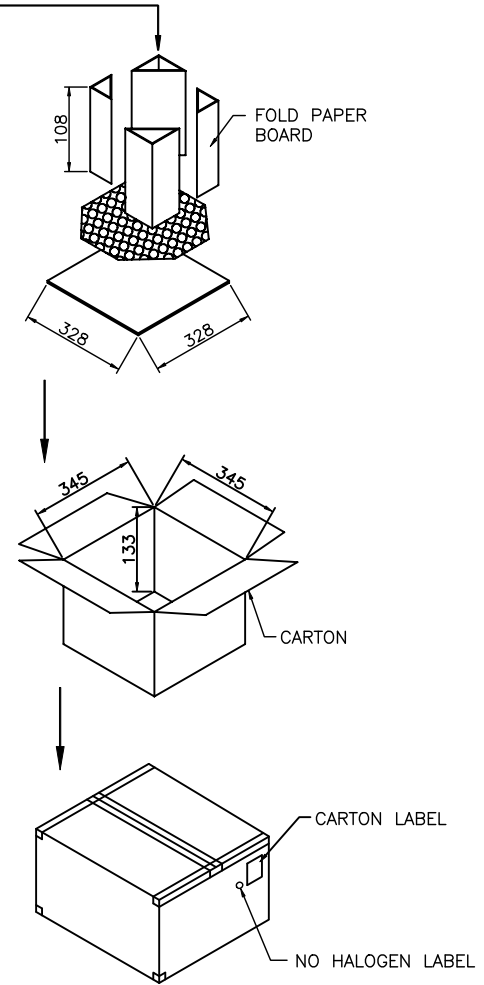
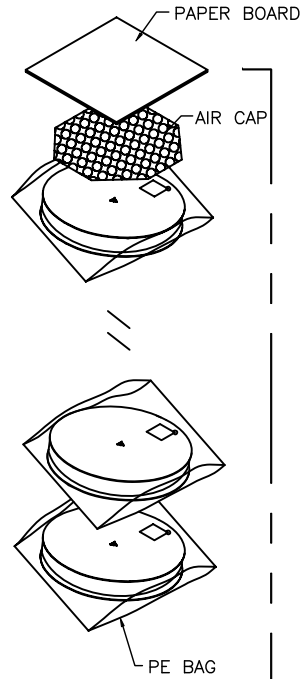


A3

| REV | ECN NO | DESCRIPTION   | DATE | APPD |
|-----|--------|---------------|------|------|
|     |        | SEE SHEET 1/2 |      |      |
|     |        |               |      |      |

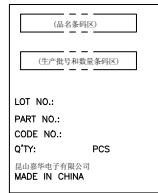


无卤  
No  
halogen  
NO HALOGEN LABEL  
φ25



INFORMATIONS OF THE PACKING

| TITLE             | P/N             | Q'TY/REEL | Q'TY/CARTON |
|-------------------|-----------------|-----------|-------------|
| 7.020A0 CONNECTOR | 7.020A0-000-1R0 | 10000PCS  | 40000PCS    |



REEL LABEL



CARTON LABEL

|                       |         |                                    |  |                  |  |
|-----------------------|---------|------------------------------------|--|------------------|--|
| EXTEND USE            |         | TITLE                              |  | F.A.F.           |  |
| RF 1.2H REC Connector |         | 7.020A0 Connector Customer Packing |  | DWG NO C-7.020A0 |  |
| GENERAL TOLERANCE     |         | MATERIAL                           |  | P/N:             |  |
| DIMENSION             |         | QTY                                |  | 7.020A0-000-1R0  |  |
| ANGLES                |         | FINISHED                           |  | SHEET SCALE REV  |  |
| . ±0.30               | . ±3°   | DRN                                |  | 2/2 1:1          |  |
| .0 ±0.25              | .0 ±2°  | Tony Tai 2017.06.23                |  | C                |  |
| .00 ±0.20             | .00 ±1° |                                    |  |                  |  |
| .000 ±0.10            |         |                                    |  |                  |  |