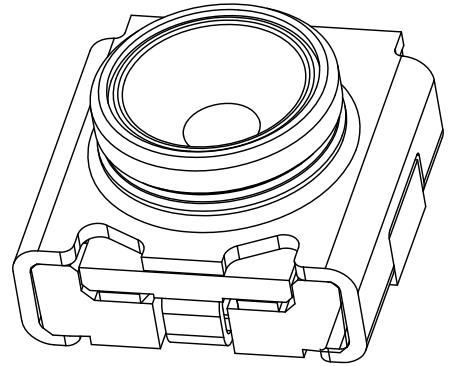
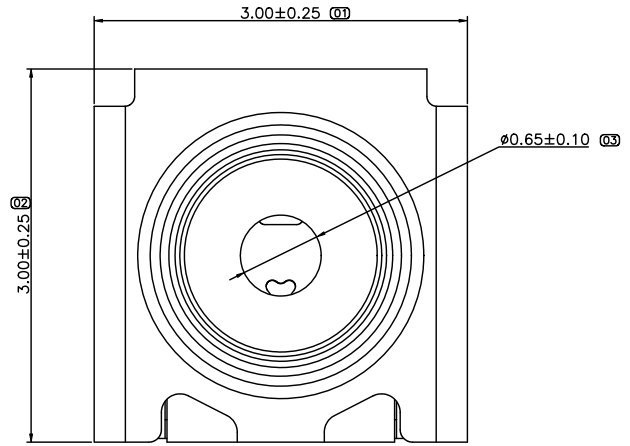
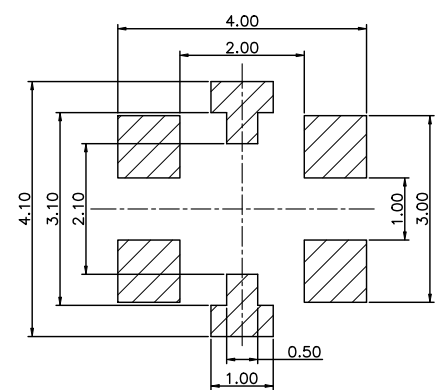
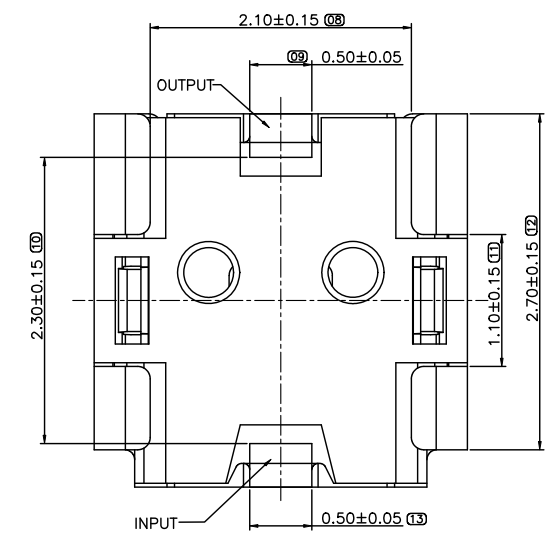
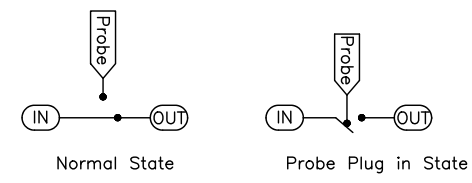
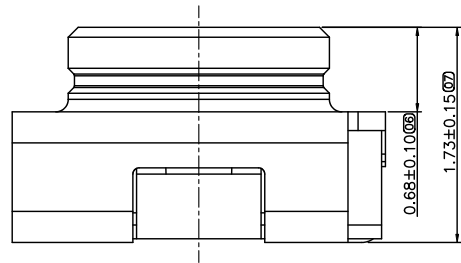
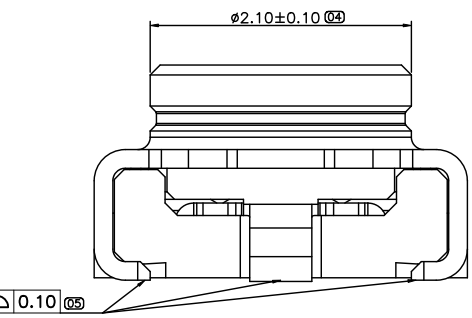


A3

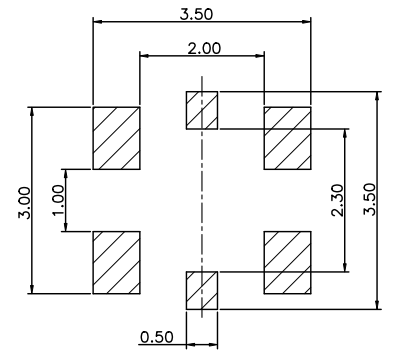
REV	ECN NO	DESCRIPTION	DATE	APPD
A	ECN1006068	INITIAL EDITION	2012.09.28	Ford Liu
B	ECN1312093	UPDATE DRAWING	2013.12.31	Bill Zheng
C	ECN1701021	CHANGE THE PACHING QUANTITY	2017.01.10	Andrew



- NOTE:
- MATERIALS:
 - HOUSING: THERMOPLASTIC, UL94 V-0, COLOR: BLACK;
 - COVER: THERMOPLASTIC, UL94 V-0, COLOR: BLACK;
 - TERMINAL-A: STAINLESS STEEL, T=0.06±0.01;
 - TERMINAL-B: COPPER ALLOY, T=0.10±0.01;
 - SHELL: COPPER ALLOY, T=0.15±0.01;
 - FINISH:
 - TERMINAL-A: 3u" Min. GOLD PLATING ON CONTACT AREA OVER 30u" Min. NICKEL UNDERPLATING;
 - TERMINAL-B: 3u" Min. GOLD PLATING ON CONTACT AREA OVER 30u" Min. NICKEL UNDERPLATING;
 - SHELL: 3u" Min. GOLD PLATING ON CONTACT AREA OVER 30u" Min. NICKEL PLATED;
 - PERFORMANCE:
 - RATINGS:
 - VOLTAGE RATING: 250V AC
 - SERVICE TEMPERATURE: -40°~+90°
 - STORAGE TEMPERATURE: -10°~+40°
 - INSULATION RESISTANCE: 500MOHM Min.



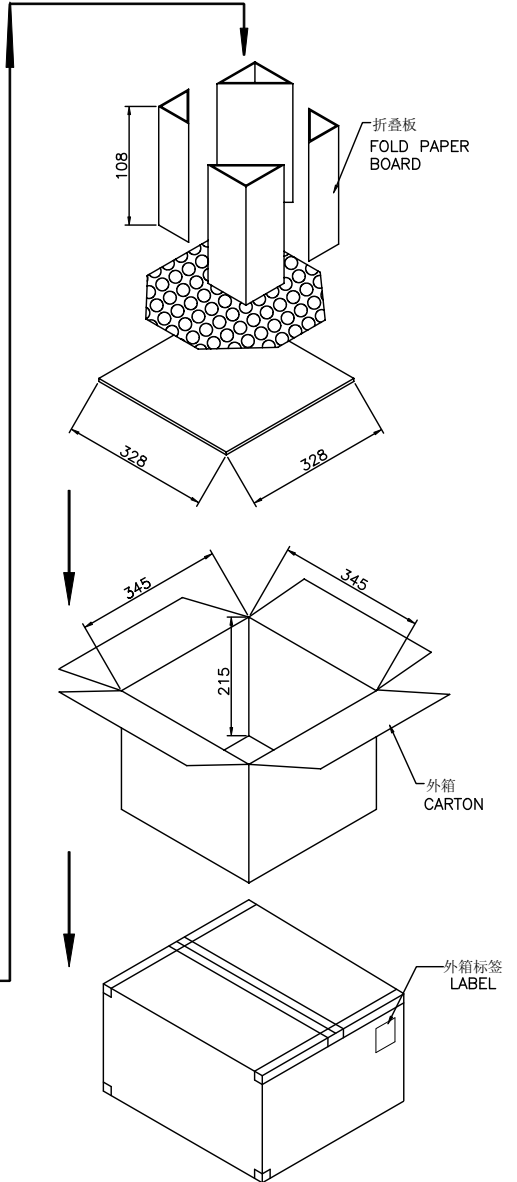
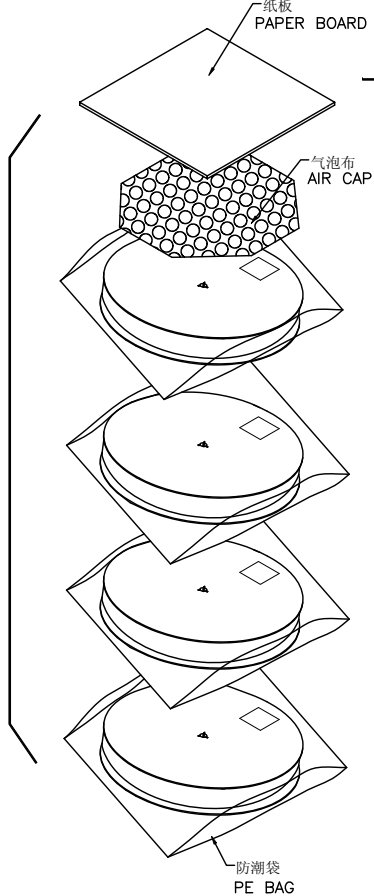
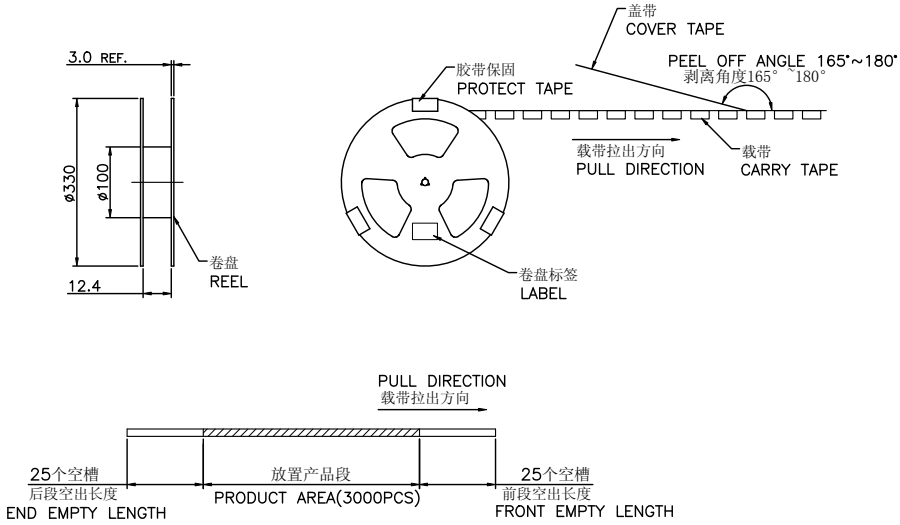
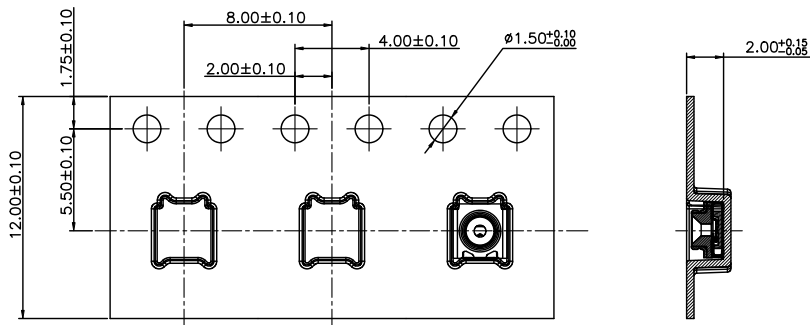
RECOMMENDED PCB LAYOUT
(TOLERANCE: ±0.03)
SCALE: 1:2



RECOMMENDED STENCIL MASK PATTERN
(TOLERANCE: ±0.03)
THICKNESS: 0.12mm
SCALE: 1:2

EXTEND USE		TITLE		DWG NO	
RF SWITCH 3*3 CONNECTOR		7.006A3 CONNECTOR CUSTOMER DRAWING		C-7.006A3	
UNIT mm		APPD Andrew 2017.01.10		P/N: 7.006A3-000-1R0	
GENERAL TOLERANCE (D)		MATERIAL		SHEET 1/2	
DIMENSION		QTY		SCALE 1:1	
ANGLES		FINISHED		REV C	
. ±0.30	. ±3°	DRN Tony Tai 2017.01.10			
.0 ±0.25	.0 ±2°				
.00 ±0.20	.00 ±1°				
.000 ±0.10					

REV	ECN NO	DESCRIPTION	DATE	APPD
		SEE SHEET 1/2		



卷盘标签示意图 LABEL



外箱标签示意图 LABEL

1: 包装内容
INFORMATIONS OF THE PACKING

料号 (P/N)	一卷包装数量 Q'TY/REEL	一箱包装数量 Q'TY/CARTON
7.006A3-000-1R0	3000PCS	30000PCS

EXTEND USE RF SWITCH 3*3 CONNECTOR	UNIT mm	TITLE 7.006A3 CONNECTOR CUSTOMER PACKING	DWG NO C-7.006A3-P	
GENERAL TOLERANCE	MATERIAL	APPD Andrew 2017.01.10	P/N: 7.006A3-000-1R0	
DIMENSION .0 ±0.30 .0 ±0.25 .00 ±0.20 .000 ±0.10	ANGLES .0 ±3° .0 ±2° .00 ±1°	QTY CHD Bill Zheng 2017.01.10	SHEET 2/2	
		FINISHED DRN Tony Tai 2017.01.10	SCALE 1:1	REV C

