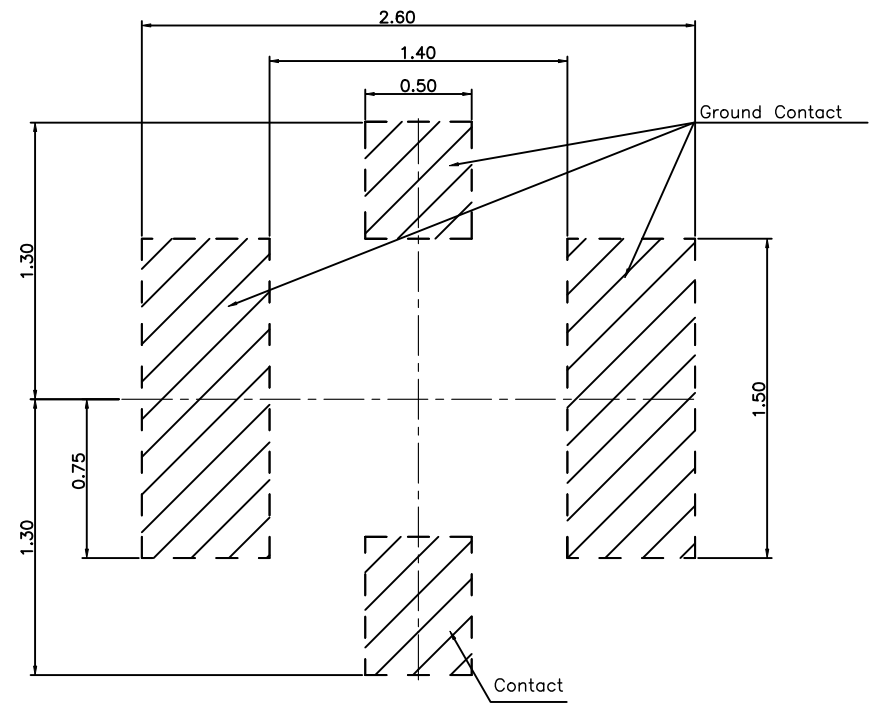
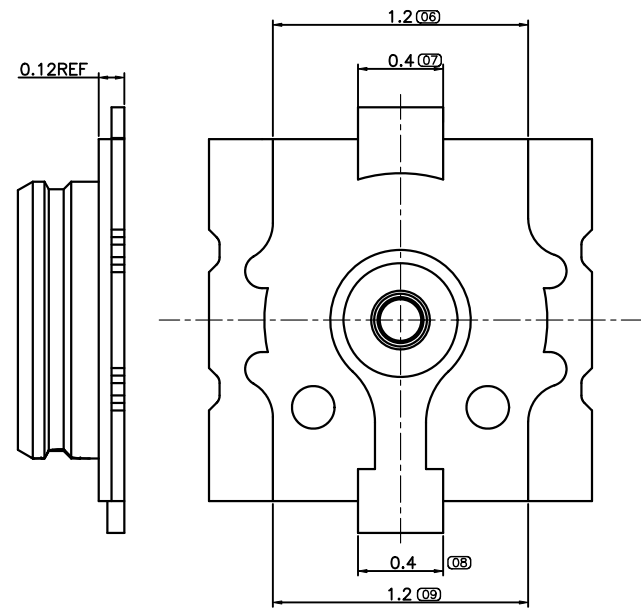
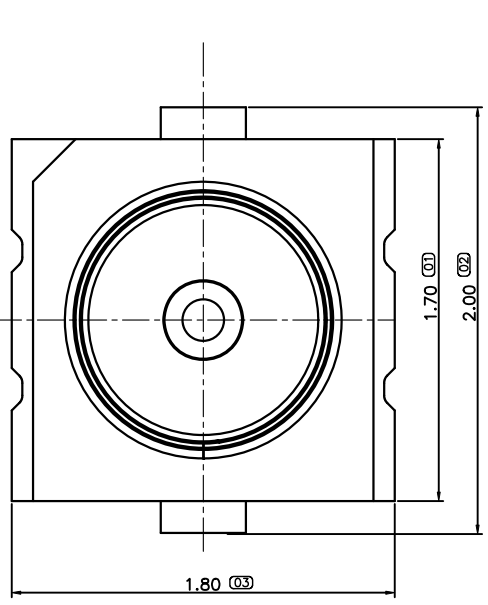
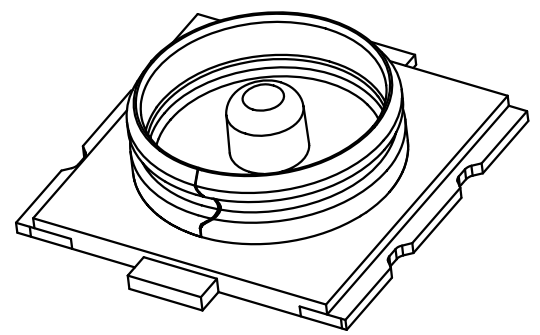
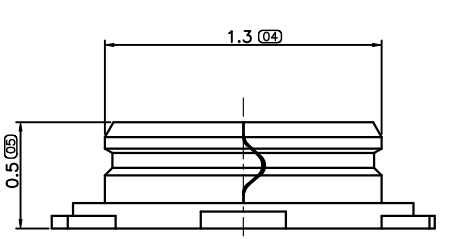


A3

REV	ECN NO	DESCRIPTION	DATE	APPD
X1		INITIAL EDITION	2016.01.20	Nike Xiang



Recommended PCB Layout
(General Tolerance Is ±0.05)



NOTE:

- MATERIAL:
 - HOUSING: THERMOPLASTIC, COLOR: BLACK, UL 94V-0;
 - CONTACT: COPPER ALLOY, T=0.08mm;
 - SHELL: COPPER ALLOY, T=0.10mm.
- FINISH:
 - CONTACT: GOLD PLATED ON MATING AREA, GOLD FLASH ON SOLDER TAILS, NICKEL UNDER PLATED OVER OF THE ALL;
 - SHELL: GOLD FLASH ON THE ALL, NICKEL PLATED UNDER.
- THE INCOMING MATERIAL, MANUFACTURING PROCESS AND THE SHIPMENT MUST ACCORD WITH THE REQUIREMENT OF FAF JH-GP-213 ENVIRONMENT MANAGEMENT MATERIAL FORBIDDEN USED PROCEDURE.

EXTEND USE			TITLE												
RF 1.0H REC(M type) Connector			UNIT	mm		7.039A0 Connector Customer Drawing									
GENERAL TOLERANCE (M)		MATERIAL	APPD	DWG NO											
<table border="1"> <tr> <th>DIMENSION</th> <th>ANGLES</th> </tr> <tr> <td>. ±0.30</td> <td>. ±3°</td> </tr> <tr> <td>.0 ±0.25</td> <td>.0 ±2°</td> </tr> <tr> <td>.00 ±0.20</td> <td>.00 ±1°</td> </tr> <tr> <td>.000 ±0.10</td> <td></td> </tr> </table>		DIMENSION	ANGLES	. ±0.30	. ±3°	.0 ±0.25	.0 ±2°	.00 ±0.20	.00 ±1°	.000 ±0.10		QTY	CHD	P/N:	
DIMENSION	ANGLES														
. ±0.30	. ±3°														
.0 ±0.25	.0 ±2°														
.00 ±0.20	.00 ±1°														
.000 ±0.10															
		FINISHED	DRN	7.039A0-000-1R0											
		Bill Zheng 2016.01.20		SHEET	SCALE										
				1/1	1:1										
					REV										
					X1										